

Commander EVO GOLD

ICCEG - COMMANDER EVO GOLD

The new Commander EVO GOLD combines the power of the Commander EVO PLUS with fertigation control to achieve pH and EC objectives in a compact and easy to use device. There are multiple fertilisation possibilities according to time, volume, proportional volume, pH and EC objectives, irrigation requests for thresholds, probes for radiation and ambient temperature, dosage of 4 fertilisers plus an acid with individual meters, PC, GSM, SMS and radio communication, making the Commander EVO GOLD a suitable device for greenhouses, hydroponic crops and farms where precise and controlled application of the nutrients is required.

Irrigation:

- Time and volume
- pH and EC control
- 24 valves + 96 expansions via cable + 96 radio
- Up to 64 blocks/combinations of valves
- 20 sequential programs
- Irrigation starts according to hour, request, temperature and sun radiation
- 5 electric pumps
- 4 languages (Italian, English, Spanish, German)
- Analogue inputs: pH, EC, temperature, solar radiation

Fertilisation:

- 4 fertilisers according to EC, time, volume and proportional to flow rate, parallel or sequential mode.
- target pH control and acid or base injection.
- Programmable pre-irrigation
- Alarms
- ON/OFF programmable mixer

Management of a maximum of 10 filters according to time, volume and differential manometer. Different cleaning times for each filter.

Modular:

- Enlargeable in modules of 16 or 24 external outputs (+96)
- Radio transmission module connection (+96)

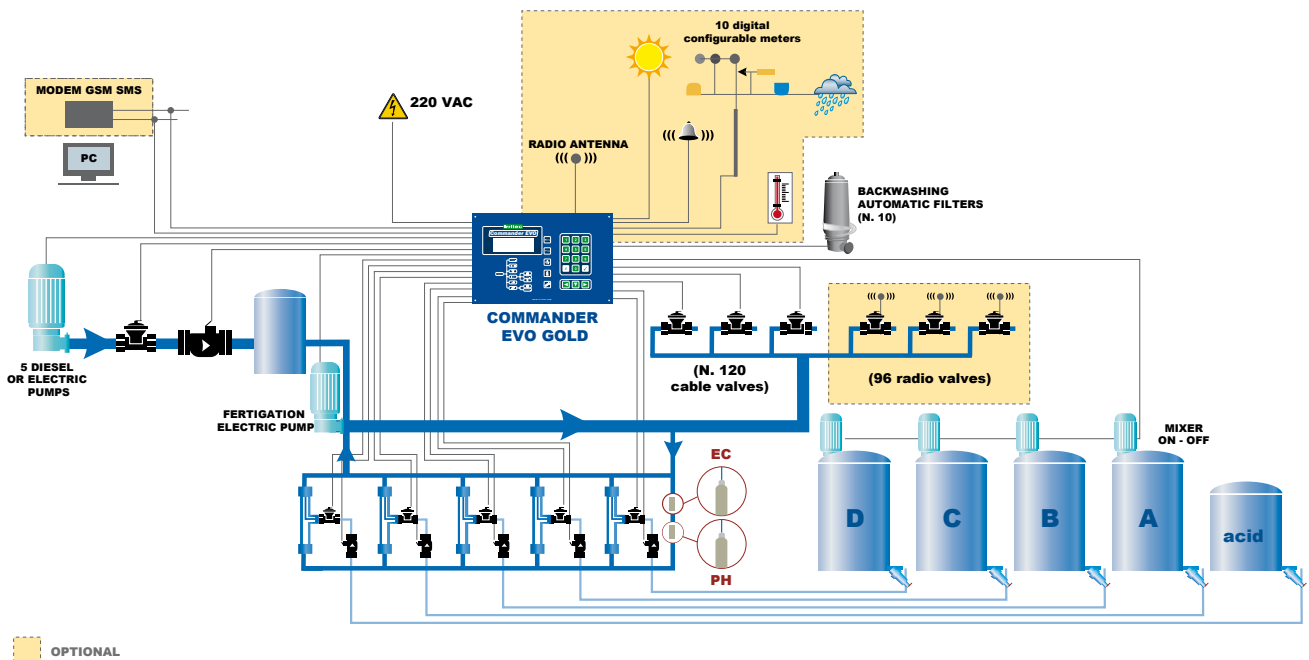


Electrical characteristics

- Power supply: 220VAC
- Outputs: 24
- Digital inputs: 1 water meter
4 fertiliser meters
1 differential manometer
10 configurable meters
- Analogue inputs: pH, EC, Temp, Rad.
- Communication: PC, GPRS

Field of application

Controller to manage open field and greenhouse irrigation systems with planting in soil or soilless. Advanced management of irrigation and fertiliser distribution.



ACCESSORIES

(IC) CEE

Programmer expansion module for Commander EVO Basic/Plus/Gold

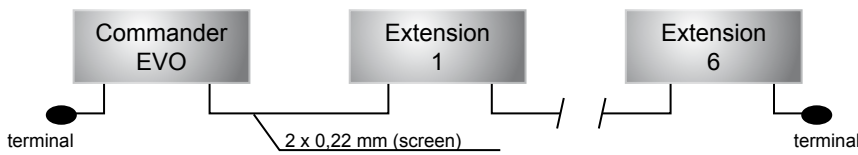


Characteristics

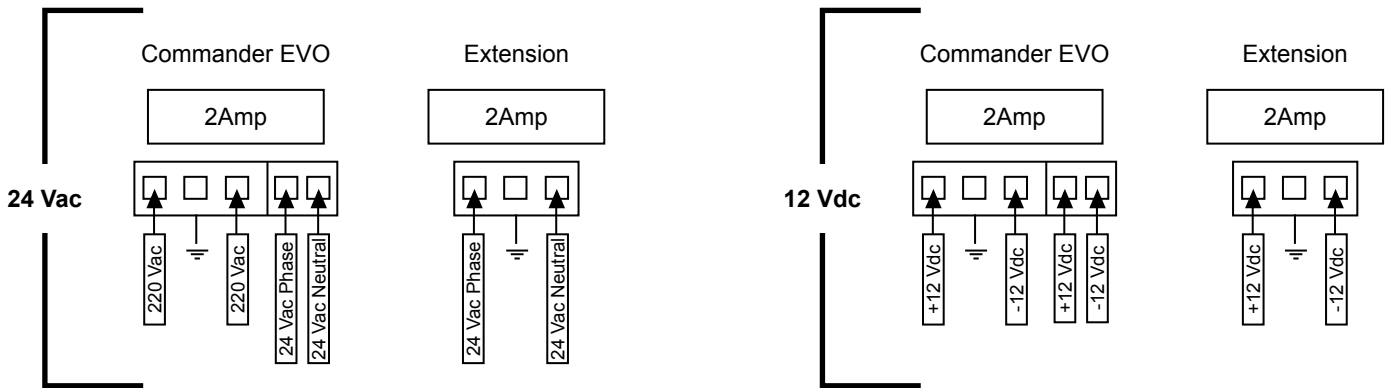
- outputs 24 Vac, 12 Vdc and 9 Vdc latch
- 24 - 16 zones
- connection with cable RS-485

All the Commander EVO series programmers have the possibility of being increased to add another 96 outputs. This increase is obtained by connecting the programmer to the accessory extension units with 16 or 24 outputs.

Connection between the Commander EVO programmer and the various accessory modules is very simple. The connection diagram is as follows:

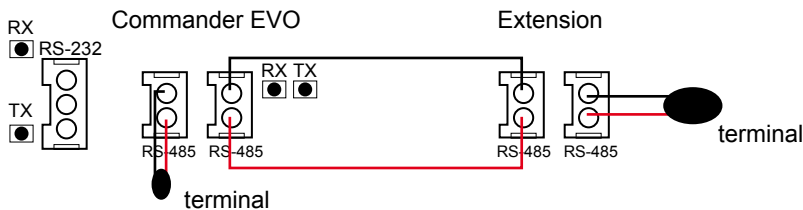


There are two types of extension units based on the 12 Vdc or 24 Vac power supply. The connection details are as follows:

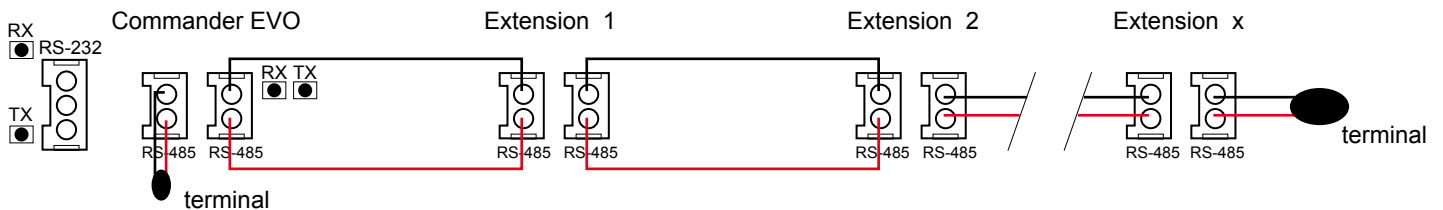


Note: It is highly important not to invert the poles in these connections.

Interfacing between the Commander EVO programmer and an extension unit is implemented as illustrated in the following diagram:



If the Commander EVO programmer must manage multiple extension units, their installation is similar to that previously explained. Simply, connect the other extension modules after the first.



See the COMMANDER EVO instruction manual